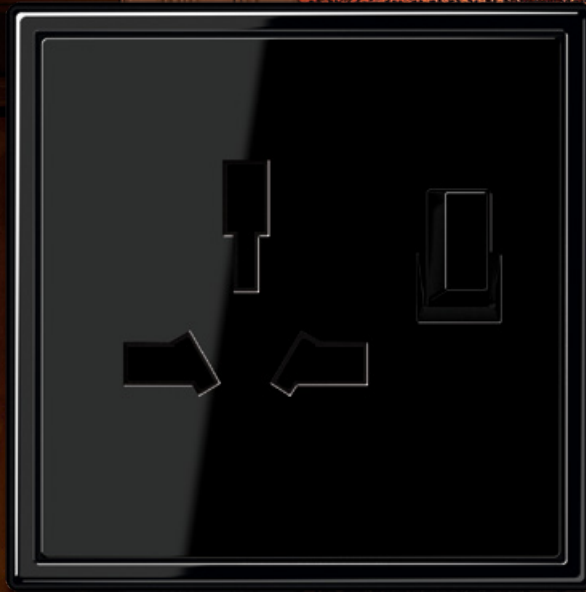


JUNG

Worldwide connection



EN 20



## International connection options

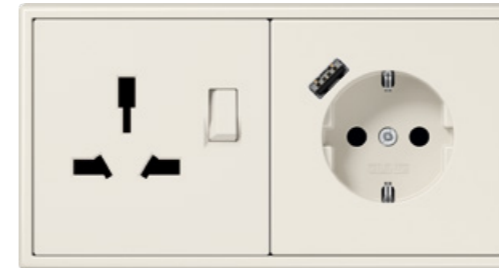
With the G + I socket, JUNG specifically meets the needs of international guests in hotels and restaurants as well as at airports and railway stations. It combines the British G socket with the I socket used widely in Australia, China and Argentina among others. In this way, it covers the connection options of over a third of all countries worldwide. In addition, the G + I socket has been tested: Germany's largest testing company DEKRA attests to the optimum safety of the JUNG G + I socket. The following standards have been tested: IEC60884-1: 2002 + A1: 2006 + A2: 2013 and BS1363-2: 1995 + A4: 2012.








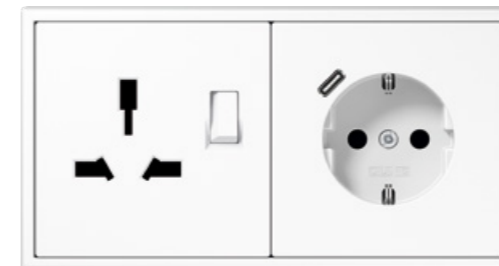
## Even more flexibility



**G + I AND SCHUKO® SOCKET  
WITH USB A**

 **JUNG QUICK CHARGE**

in a 2-gang frame  
in LS 990 in white



**G + I AND SCHUKO® SOCKET  
WITH USB-C**

 **JUNG QUICK CHARGE**

in a 2-gang frame  
in LS 990 in white



**G + I AND SCHUKO® SOCKET  
WITH USB A+C**

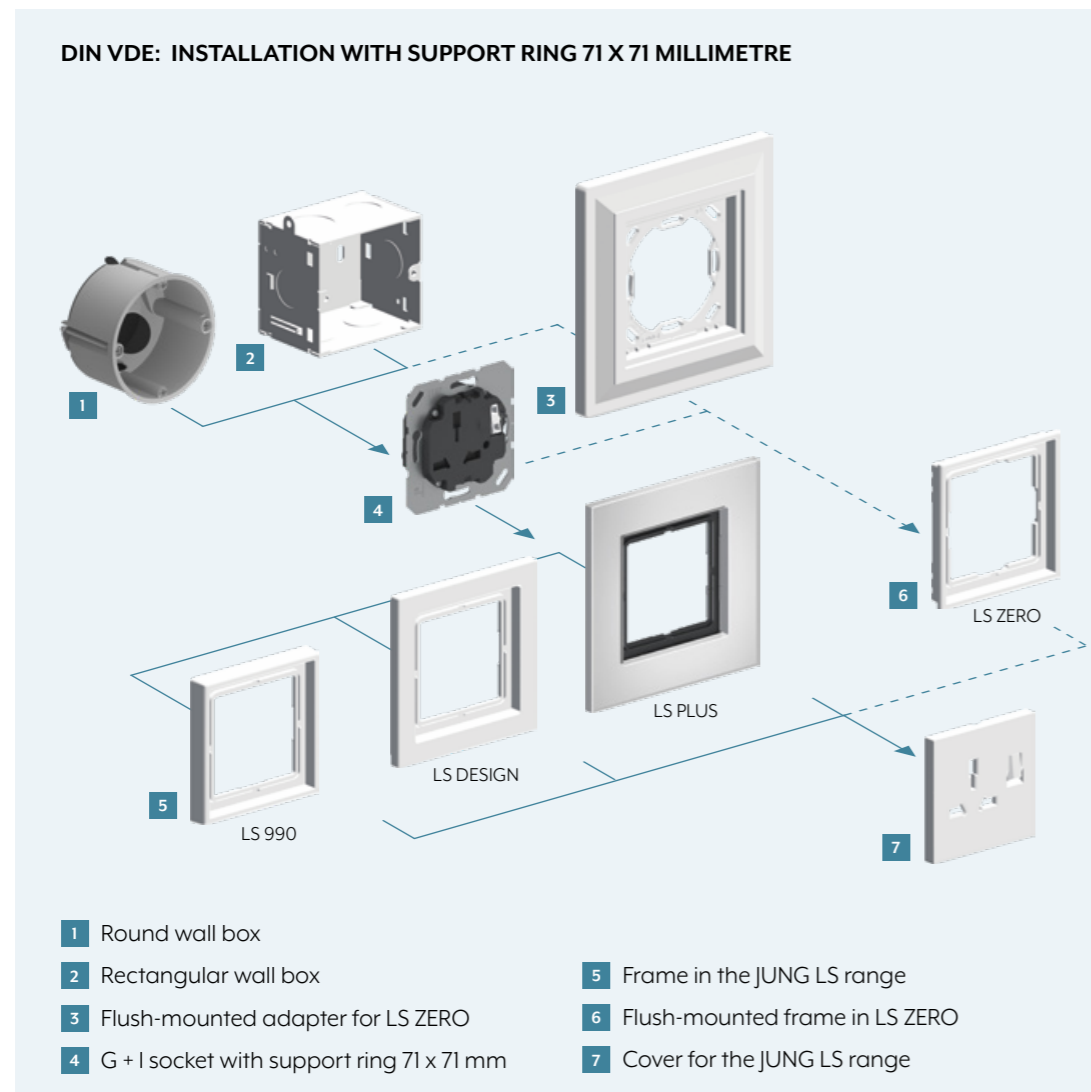
in a 2-gang frame  
in LS 990 in black

Guests and travellers from over 75 % of the countries worldwide can connect their devices with the combination of G + I and SCHUKO® socket in a 2-gang frame. The use of SCHUKO® sockets with USB connections provides an even larger range of functions.



JUNG Quick Charge enables significantly reduced charging times.  
The function is available in USB sockets with a type A and/or a type C port.

## G + I according to DIN VDE



If the G + I socket is installed in a wall box according to DIN VDE, combinations in up to five-gang frames are possible. This results in numerous function possibilities.

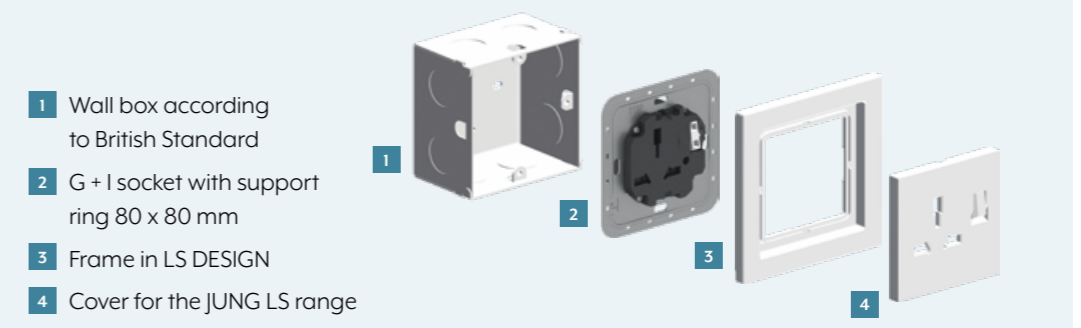


## G + I in British Standard



The G + I socket is also available with a support ring with the dimensions 80x80 millimetre. This makes it ideal for countries where British Standard wall boxes are installed.

### BRITISH STANDARD: INSTALLATION WITH SUPPORT RING 80 X 80 MILLIMETRE



**ALBRECHT JUNG GMBH & CO. KG**

P.O. Box 1320

58569 Schalksmühle

Germany

Phone +49 2355 806-0

Fax +49 2355 806-204

[international@jung.de](mailto:international@jung.de)

For sales contacts in your country see:

[jung-group.com/contact](http://jung-group.com/contact)

**JUNG-GROUP.COM**